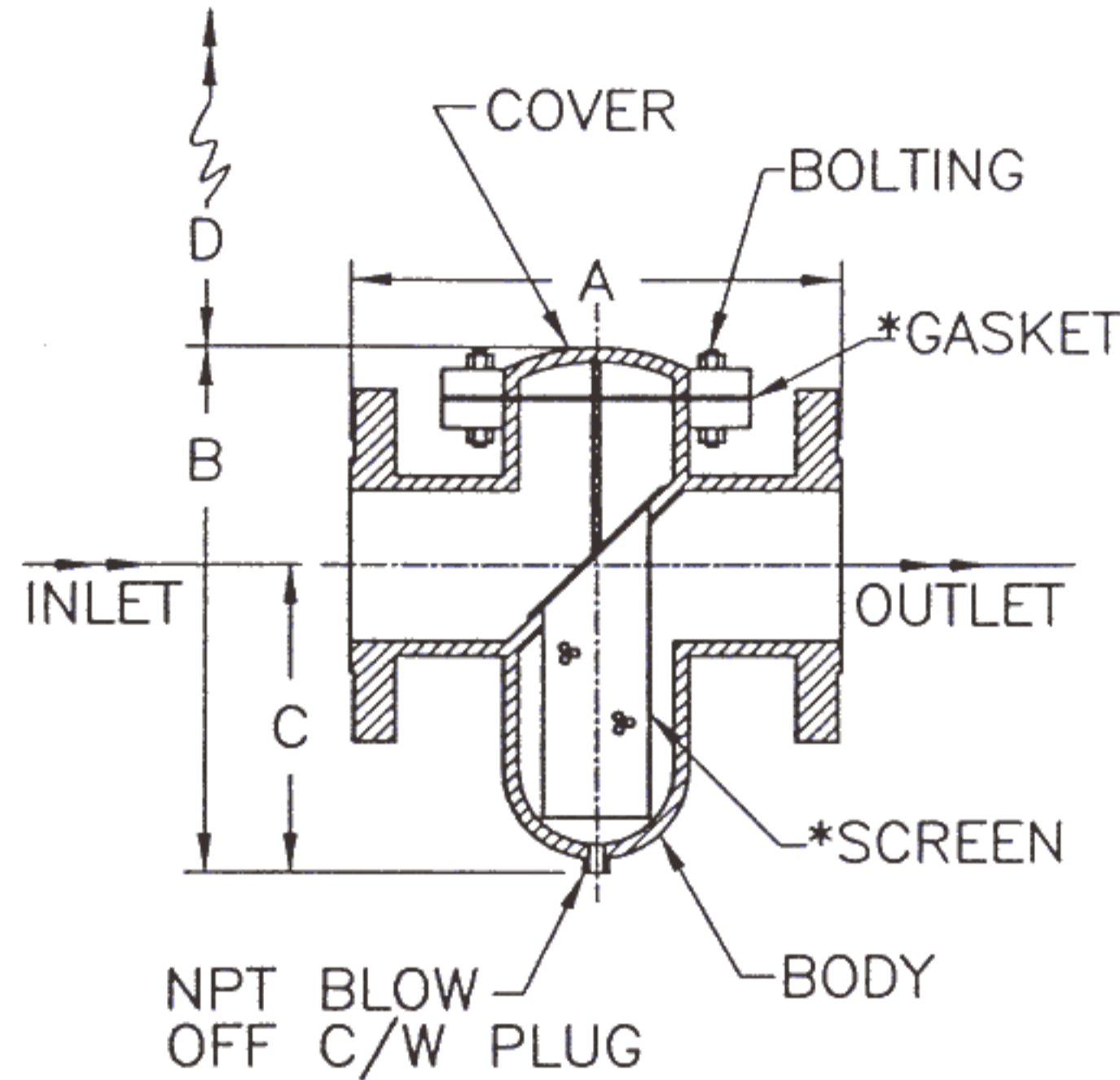


## SERIES 124 FLAT FACE CAST IRON BASKET STRAINER 125 LB. ANSI FLANGE RATING, BOLTED COVER



\*Denotes Recommended Spare Parts

SIZE	A	B	C	D BASKET REMOVAL	BLOW OFF	WEIGHT
2" 50 mm	8-1/8" 206.4 mm	8-3/8" 212.7 mm	5" 127.0 mm	5-3/8" 136.5 mm	3/4" NPT 20 mm	26 lbs. 11.8 kg.
2-1/2" 65 mm	8-3/4" 222.3 mm	9-5/8" 244.5 mm	5-5/16" 134.9 mm	6-5/16" 160.3 mm	3/4" NPT 20 mm	35 lbs. 15.9 kg.
3" 80 mm	9-7/8" 250.8 mm	11-1/4" 285.8 mm	6-1/2" 165.1 mm	8" 203.2 mm	3/4" NPT 20 mm	47 lbs. 21.3 kg.
4" 100 mm	11-1/2" 292.1 mm	13-1/2" 342.9 mm	8" 203.2 mm	9-5/16" 236.5 mm	1" NPT 25 mm	78 lbs. 35.4 kg.
5" 125 mm	13-1/8" 333.4 mm	14-5/8" 371.5 mm	8" 203.2 mm	10-1/4" 260.4 mm	1" NPT 25 mm	100 lbs. 45.4 kg.
6" 150 mm	14-7/8" 377.8 mm	15-5/8" 396.9 mm	8-5/8" 219.1 mm	11-1/8" 282.6 mm	1" NPT 25 mm	137 lbs. 62.1 kg.
8" 200 mm	18-11/16" 474.7 mm	21" 533.4 mm	11-3/4" 298.5 mm	15-9/16" 395.3 mm	1" NPT 25 mm	300 lbs. 136.1 kg.
10" 250 mm	20-1/8" 511.2 mm	24-1/2" 622.3 mm	13-3/4" 349.3 mm	18" 457.2 mm	1" NPT 25 mm	430 lbs. 195.0 kg.
12" 300 mm	26-1/4" 666.8 mm	29-3/4" 755.7 mm	16-3/8" 415.9 mm	23-1/4" 590.6 mm	1" NPT 25 mm	738 lbs. 334.8 kg.

**Dimensions subject to change without notice, apply for certified drawings.**

## STANDARD CONSTRUCTION

	<b>CAST IRON</b>
Body and Cover	ASTM A126 Class B
Gasket	Non-Asbestos
Screen	Stainless Steel

## MAXIMUM OPERATING PRESSURES AND TEMPERATURES

	<b>CAST IRON</b>
Steam	2" through 12" - 125 psi @ 350°F
W.O.G.	2" through 12" - 200 psi @ 150°F

## STANDARD SCREENS

SIZE	SCREEN OPENING
2" through 3"	0.045" perforations
4" through 12"	0.125" perforations

Other screen openings are available, please consult the factory or your local sales representative.

