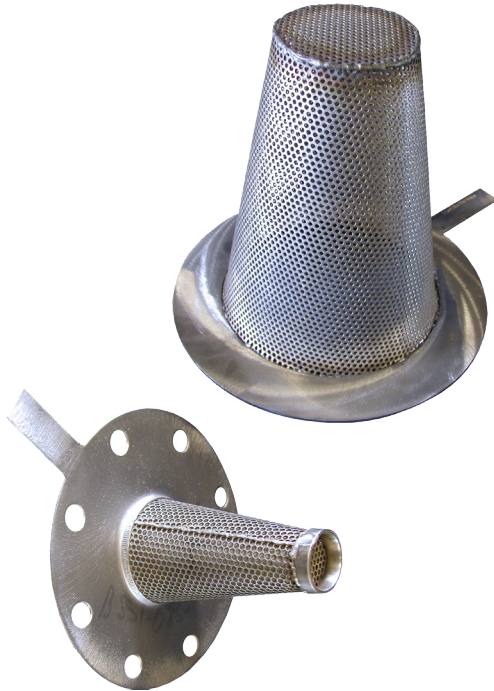
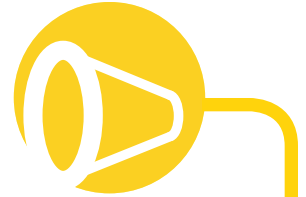


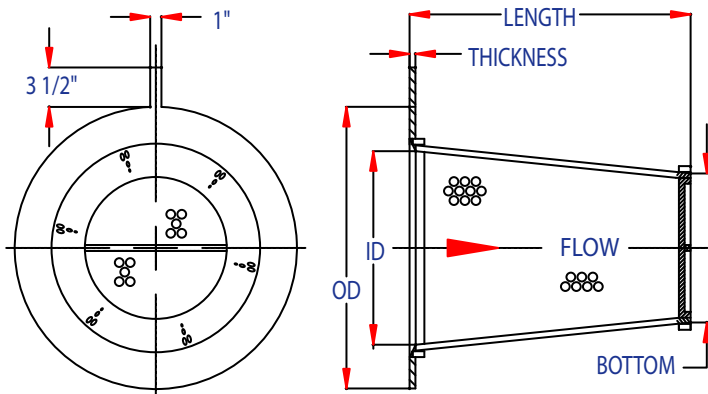
BSS & BSL Basket Strainers

**Short (150% Open Area) and
 Long (200% Open Area) Design**



The Fluid Engineering Series BSS and BSL Inline Basket Strainers offer an inexpensive solution to debris removal problems in a pipeline. This device fits directly into the pipeline between the two mating flanges. The Series BSS and BSL offer a low pressure drop and retain a large volume of solids. Stiffeners are used on the bottoms of baskets, 2" and larger, to minimize distortion if a high pressure differential were to develop due to high levels of loading and clogging. Standard material is 304 stainless steel. Also, 316 stainless steel and monel are available on application.

Other size perforations are available (1/16" through 1/2"), please consult the factory or your local sales representative.



Mesh Screen	Micron	Open Area %
STD perf 5/32	3969	58.0
20 x 20	864	46.2
40 x 40	381	36.0
60 x 60	229	30.5
80 x 80	178	31.4
100 x 100	165	42.3
150 x 150	104	37.4
200 x 200	69	29.1
250 x 250	61	36.0
300 x 300	46	29.7
400 x 400	38	36.0



1432 Walnut Street * Erie, PA 16502 USA * TEL: 814.453.5014 * FAX: 814.452.6573
 Website: <http://www.fluideng.com> * E-mail: sales@fluideng.com



BSS & BSL Basket Strainers

Short (150% Open Area) and Long (200% Open Area) Design

SIZE	O.D. RAISED FACE ANSI FLANGE				ID	Model BSS Length	Model BSL Length	Flange Thickness	WEIGHTS	
	150 lb.	300 lb.	600 lb.	900 lb.					BSS	BSL
3/4" 20 mm	2-1/8" 54.0 mm	2-1/2" 63.5 mm	2-1/2" 63.5 mm	2-5/8" 66.7 mm	5/8" 15.9 mm	2" 50.8 mm	3" 76.2 mm	14 GA	1/2 lbs. .23 kg.	1/2 lbs. .23 kg.
1" 25 mm	2-1/2" 63.5 mm	2-3/4" 69.9 mm	2-3/4" 69.9 mm	3" 76.2 mm	7/8" 22.2 mm	2-1/2" 63.5 mm	3-1/2" 88.9 mm	14 GA	1/2 lbs. .23 kg.	1/2 lbs. .23 kg.
1-1/4" 32 mm	2-7/8" 73.0 mm	3-1/8" 79.4 mm	3-1/8" 79.4 mm	3-1/4" 82.6 mm	1" 25.4 mm	3-1/2" 88.9 mm	5" 127.0 mm	14 GA	1/2 lbs. .23 kg.	1/2 lbs. .23 kg.
1-1/2" 40 mm	3-1/8" 79.4 mm	3-1/2" 88.9 mm	3-1/2" 88.9 mm	3-3/4" 95.3 mm	1-1/4" 31.8 mm	4" 101.6 mm	5-1/2" 139.7 mm	14 GA	7/10 lbs. .32 kg.	7/10 lbs. .32 kg.
2" 50 mm	3-7/8" 98.4 mm	4-1/8" 104.8 mm	4-1/8" 104.8 mm	5-1/2" 139.7 mm	1-3/4" 44.5 mm	4-1/2" 114.3 mm	6" 152.4 mm	14 GA	4/5 lbs. .36 kg.	4/5 lbs. .36 kg.
2-1/2" 65 mm	4-5/8" 117.5 mm	4-7/8" 123.8 mm	4-7/8" 123.8 mm	6-3/8" 161.9 mm	2-1/4" 57.2 mm	4-3/4" 120.7 mm	6-1/2" 165.1 mm	14 GA	1 lbs. .45 kg.	1 lbs. .45 kg.
3" 80 mm	5-1/8" 130.2 mm	5-5/8" 142.9 mm	5-5/8" 142.9 mm	6-1/2" 165.1 mm	2-3/4" 69.9 mm	5" 127.0 mm	7" 177.8 mm	14 GA	1-1/4 lbs. .57 kg.	1-1/2 lbs. .68 kg.
3-1/2" 90 mm	6-1/8" 155.6 mm	6-1/8" 155.6 mm	6-1/4" 158.8 mm	--	3-1/4" 82.6 mm	5-1/2" 139.7 mm	7-1/2" 190.5 mm	14 GA	1-3/8 lbs. .62 kg.	1-5/8 lbs. .74 kg.
4" 100 mm	5-5/8" 142.9 mm	6-7/8" 174.6 mm	7-3/8" 187.3 mm	8" 203.2 mm	3-1/2" 88.9 mm	6" 152.4 mm	8" 203.2 mm	14 GA	1-1/2 lbs. .68 kg.	1-3/4 lbs. .79 kg.
5" 125 mm	7-1/2" 190.5 mm	8-1/4" 209.6 mm	9-1/4" 235.0 mm	9-5/8" 244.5 mm	4-5/8" 117.5 mm	6-1/2" 165.1 mm	8-1/2" 215.9 mm	14 GA	1-3/4 lbs. .79 kg.	2 lbs. .91 kg.
6" 150 mm	8-1/2" 215.9 mm	9-5/8" 244.5 mm	10-1/4" 260.4 mm	11-1/4" 285.8 mm	5-1/2" 139.7 mm	7" 177.8 mm	9" 228.6 mm	14 GA	2-1/2 lbs. 1.1 kg.	3-1/2 lbs. 1.6 kg.
8" 200 mm	10-3/4" 273.1 mm	11-7/8" 301.6 mm	12-3/4" 323.9 mm	14" 355.6 mm	7-1/8" 181.0 mm	8-1/2" 215.9 mm	12" 304.8 mm	14 GA	4-1/2 lbs. 2.0 kg.	6 lbs. 2.7 kg.
10" 250 mm	13-1/8" 333.4 mm	14" 355.6 mm	15-1/2" 393.7 mm	17" 431.8 mm	9" 228.6 mm	10" 254.0 mm	14" 355.6 mm	14 GA	6 lbs. 2.7 kg.	7-1/2 lbs. 3.4 kg.
12" 300 mm	15-7/8" 403.2 mm	16-3/8" 415.9 mm	17-3/4" 450.9 mm	19-1/2" 495.3 mm	10-7/8" 276.2 mm	12" 304.8 mm	16-1/2" 419.1 mm	14 GA	8 lbs. 3.6 kg.	11 lbs. 5.0 kg.
14" 350 mm	17-1/2" 444.5 mm	18-7/8" 479.4 mm	19-1/8" 485.8 mm	20-3/4" 527.1 mm	12-5/8" 320.7 mm	13" 330.2 mm	17" 431.8 mm	11 GA	10 lbs. 4.5 kg.	12 lbs. 5.4 kg.
16" 400 mm	20" 508.0 mm	21" 533.4 mm	22" 558.8 mm	22-1/2" 571.5 mm	14-1/2" 368.3 mm	14" 355.6 mm	20" 508.0 mm	11 GA	12 lbs. 5.4 kg.	16 lbs. 7.3 kg.
18" 450 mm	21-3/8" 542.9 mm	23-1/4" 590.6 mm	23-7/8" 606.4 mm	25" 635.0 mm	16-3/8" 415.9 mm	16" 406.4 mm	22" 558.8 mm	11 GA	15 lbs. 6.8 kg.	21 lbs. 9.5 kg.
20" 500 mm	23-5/8" 600.1 mm	25-1/2" 647.7 mm	26-5/8" 676.3 mm	--	18-3/8" 466.7 mm	18" 457.2 mm	25" 635.0 mm	11 GA	20 lbs. 9.1 kg.	26 lbs. 11.8 kg.
24" 600 mm	28" 711.2 mm	30-1/4" 768.4 mm	30-7/8" 784.2 mm	--	22-3/8" 568.3 mm	21" 533.4 mm	30" 762.0 mm	11 GA	27 lbs. 12.2 kg.	38 lbs. 17.2 kg.
30" 750 mm	34-1/4" 870.0 mm	37-1/8" 943.0 mm	37-3/4" 958.9 mm	--	28-1/2" 723.9 mm	30" 762.0 mm	40" 1016.0 mm	11 GA	42 lbs. 19.1 kg.	56 lbs. 25.4 kg.

Note: Dimensions subject to change without notice. Apply for certified drawings.

"Engineered Products for Demanding Applications, Performance, and Service"