

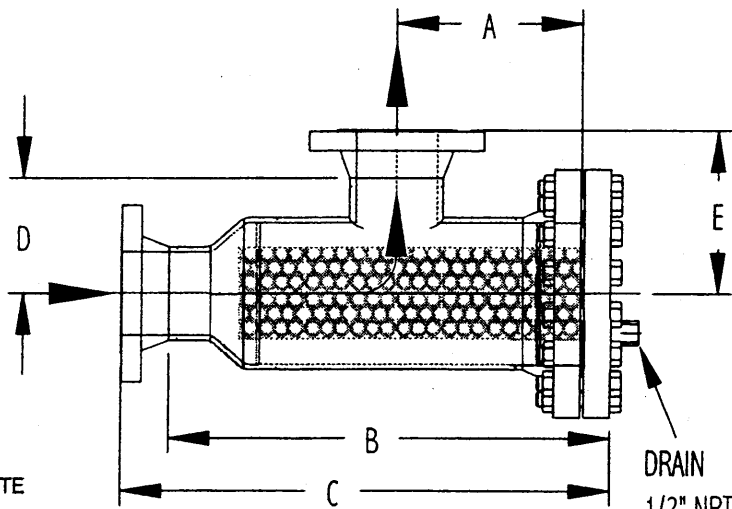
FLUID ENGINEERING

AN EMPLOYEE-OWNED COMPANY A DIVISION OF TM INDUSTRIAL SUPPLY, INC.

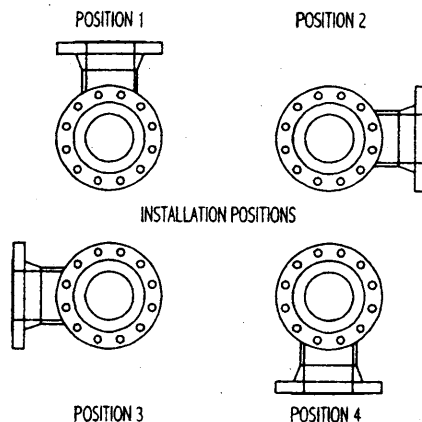
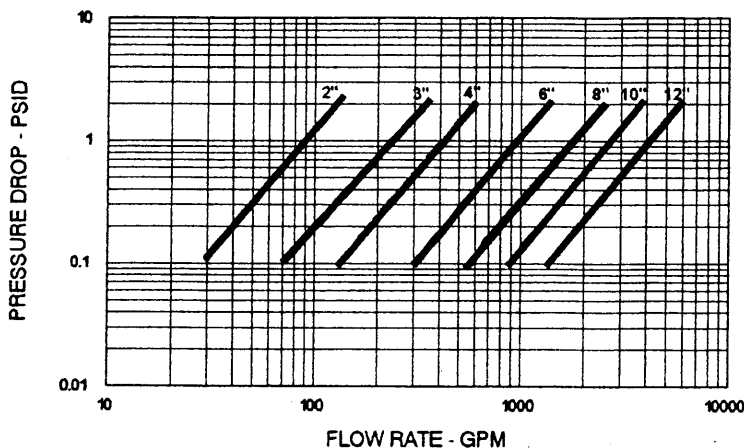
1432 WALNUT STREET • ERIE, PA 16502 USA • TEL: (814) 453-5014 • FAX: (814) 452-6573
Home Page: <http://www.fluideng.com> • E-Mail: fluideng@fluideng.com

Model 300
90° Elbow Simplex

- 300 Inlet & Outlet Butt weld
- 301 Inlet Butt weld & Outlet Flanged
- 302 Inlet Flanged & Outlet Butt weld
- 303 Inlet & Outlet Flanged



PRESSURE DROP vs. FLOWRATE



Size	Inlet /Outlet	ANSI 150#					ANSI 300#				
		A	B	C	D	E	A	B	C	D	E
2"	2"	5"	7 1/2"	10"	2 1/2"	5"	5 1/4"	7 3/4"	10 1/2"	2 1/2"	5 1/4"
50.8 mm	50.8 mm	127 mm	190.5 mm	254.0 mm	63.5 mm	127 mm	133.4 mm	196.9 mm	266.7 mm	63.5 mm	133.4 mm
3"	3"	6 1/8"	9 1/2"	12.3"	3 3/8"	6 5/8"	6 1/2"	9 7/8"	13"	3 3/8"	6 1/8"
76.2 mm	76.2 mm	155.6 mm	241.3 mm	311.2 mm	85.7 mm	168.3 mm	165.1 mm	250.8 mm	330.2 mm	85.7 mm	155.6 mm
4"	4"	7 1/8"	11 1/8"	14 1/4"	4 1/8"	7 1/8"	7 1/2"	11 5/8"	15"	4 1/8"	7 1/2"
101.6 mm	101.6 mm	181.0 mm	282.6 mm	360.0 mm	104.8 mm	181.0 mm	190.5 mm	295.3 mm	381.0 mm	104.8 mm	190.5 mm
6"	6"	9 1/8"	14 3/4"	18 1/4"	5 3/8"	9 1/8"	9 1/2"	15 1/8"	19"	5 3/8"	9 1/2"
152.4 mm	152.4 mm	231.8 mm	374.7 mm	463.6 mm	142.9 mm	231.8 mm	241.3 mm	384.2 mm	482.6 mm	142.9 mm	241.3 mm
8"	8"	11"	18"	22"	7"	11"	11 3/8"	18 1/8"	22 3/4"	7"	11 3/8"
203.2 mm	203.2 mm	279.4 mm	457.2 mm	558.8 mm	177.8 mm	279.4 mm	288.9 mm	466.7 mm	577.9 mm	177.8 mm	288.9 mm
10"	10"	12 1/2"	21"	25"	8 1/2"	12 1/2"	13 1/8"	21 3/8"	26 1/4"	8 1/2"	13 1/8"
254.0 mm	254.0 mm	317.5 mm	533.4 mm	635 mm	215.9 mm	317.5 mm	333.4 mm	549.3 mm	666.8 mm	215.9 mm	333.4 mm
12"	12"	14 1/2"	24 1/2"	29"	10"	14 1/8"	15 1/8"	25 1/8"	30 1/4"	10"	15 1/8"
304.8 mm	304.8 mm	368.3 mm	622.3 mm	736.6 mm	254.0 mm	368.3 mm	384.2 mm	638.2 mm	768.4 mm	254.0 mm	384.2 mm

- Larger sizes, higher pressures, and temperatures are available on application
- Models 6" and greater will be supplied with pipe support (Contractor to add ground support)
- Models 8" and greater will be supplied with cover davit swing
- Dimensions subject to change without notice, apply for certified drawings

"ENGINEERED PRODUCTS FOR DEMANDING APPLICATIONS, PERFORMANCE, AND SERVICE"